

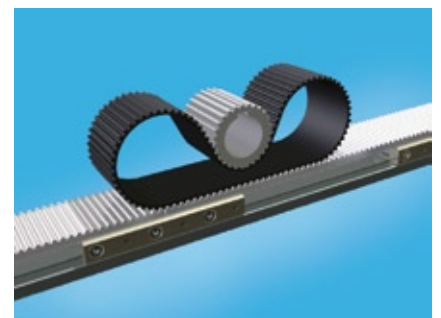


Linear rack actuator Uniline Z

Unlimited strokes at high speeds



- ⇒ Rigid Uniline design
- ⇒ Shearing forces up to 4,400 N
- ⇒ Movement speeds up to 3 m/s
- ⇒ Incoming torque up to 110 Nm
- ⇒ Compact Rail carrier rails and rollers
- ⇒ Repeat accuracy 0.02 mm
- ⇒ Any installation position
- ⇒ Any number of gears per axis, moveable individually
- ⇒ Combinable to multiple-axis systems



www.rollon.de

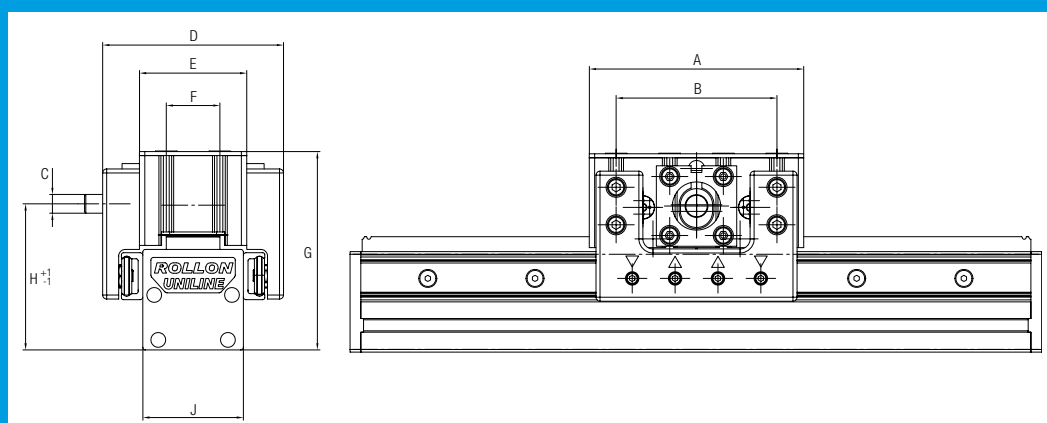
ROLLON[®]
Linear Evolution



- ⇒ Variable, unlimited strokes
- ⇒ Short precision toothed belt, without undesirable elongation
- ⇒ Low weight of the gearhead
- ⇒ Wear parts easily accesible
- ⇒ Low working noise

Technical data	Type		
	Z-55	Z-75	Z-100
C [N]	8520	16080	24560
C_{Orad} [N]	4340	7020	11000
C_{Oax} [N]	1500	2400	3710
M_x [Nm]	156,2	347,5	709,5
M_y [Nm]	43,4	92,2	217,4
M_z [Nm]	108,8	224,8	627
Compact Rail carrier rail	TLV28	TLV35	TLV43
Stroke per input shaft revolution [mm]	80	100	160
Max. shearing force [N]	1000	1400	4400
Max. incoming torque [Nm]	12	21	110
No. of teeth on gear	16	20	20
No. of teeth in contact	7	8	8
Pitch [mm]	5	5	8
Max. movement speed [m/s]	3	3	3
Weight (of the gearhead) [Kg]	1,4	2,2	7,4

Dimensions [mm]									
Type	A	B	C	D	E	F	G	H	J
Z-55	120	90	Ø12h6	103	60	30	110	80 ±1	55
Z-75	160	120	Ø14h6	135	80	40	148	109 ±1	75
Z-100	240	180	Ø19h6	173	120	60	209	150 ±1	100



ROLLON GmbH

Voisweg 5c
 40878 Ratingen
 Tel.: +49 2102 87450
 Fax: +49 2102 874510
 info@rollon.de
 www.rollon.de